

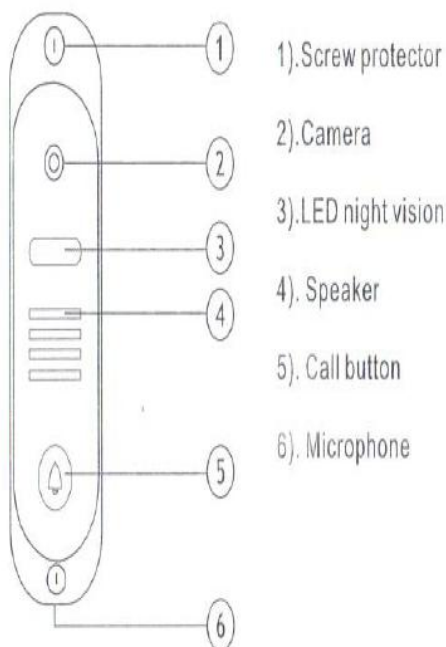
VIDEO DOOR STATION

Version: V1.0

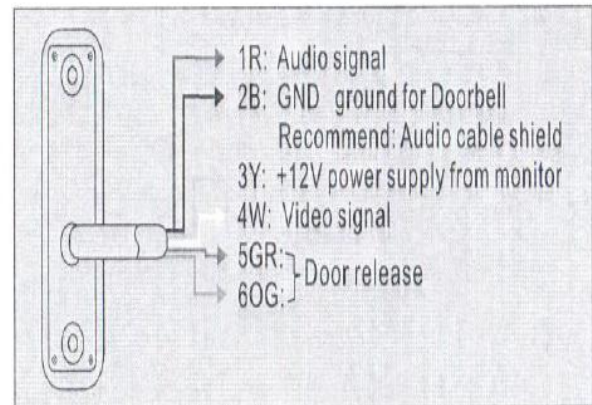
1.SPECIFICATIONS

- Surface mounting
- Plastic housing
- 600 TV lines
- HD color CMOS camera
- LED night vision
- Working temperature: -30°C to +60°C
- Dimension: 160*48*29mm
- 50° viewing angle
- 1Vp-p75Ω Video output
- Power voltage DC 10-15V
- Power consumption 2.5W

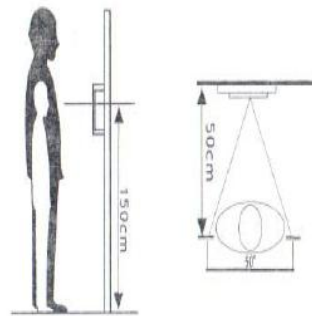
2.DESCRPTIONS OF DOOR STATION(FRONT)



3.DESCRPTIONS OF DOOR STATION(REAR)



4.DOOR STATION INSTALLATION

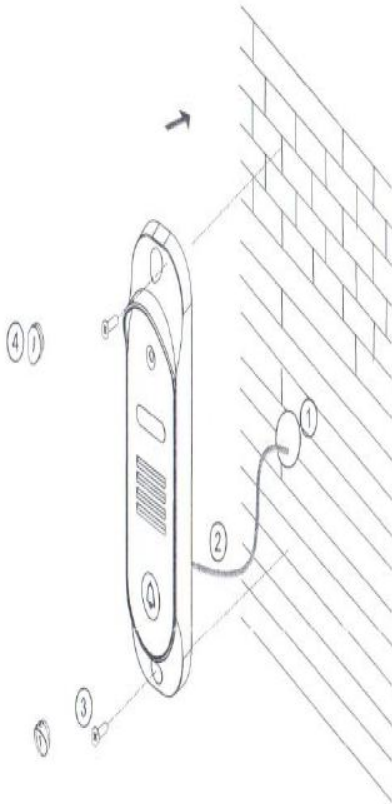


4.1. Please select the most suitable door station position, avoid direct sunshine to camera, dark surroundings, rain.

4.2. Determine door station installation height: suggest to be 1.5~1.6 meters.

5.Installation Diagram

5.1. Surface mounted



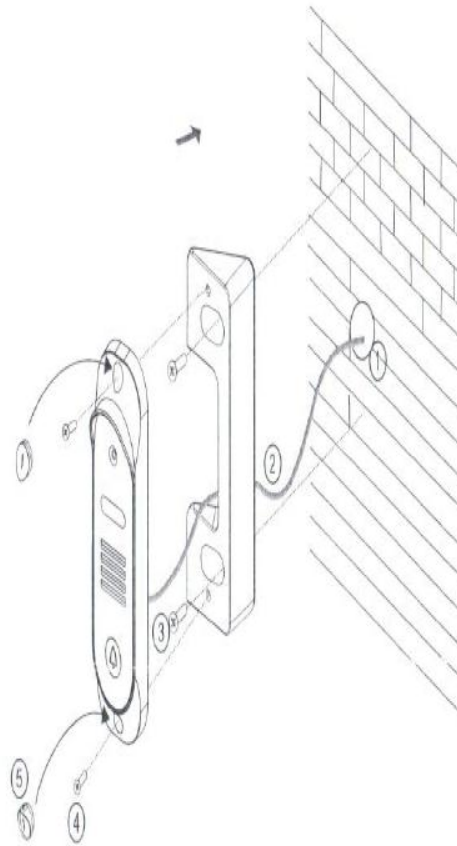
Processes:

- 1). Drill a hole at the suitable height on the wall for cables.
- 2). Connect the cables from the indoor monitor and electric lock with the door station.
- 3). Fix the door station on the wall with screws.
- 4). Cover the screw protectors onto the door station.

Remark:

For safety reason please do not connect to power before installation finished.

5.2. Surface mounted with angle bracket (tilted 30°)



Processes:

- 1). Drill a hole at the suitable height on the wall for cables.
- 2). Connect the cables from the indoor monitor and electric lock with the door station.
- 3). Fix the angle bracket onto the wall with screws.
- 4). Fix the door station on the angle bracket with screws.
- 5). Cover the screw protectors onto the door station.

Remark:

For safety reason please do not connect to power before installation finished.